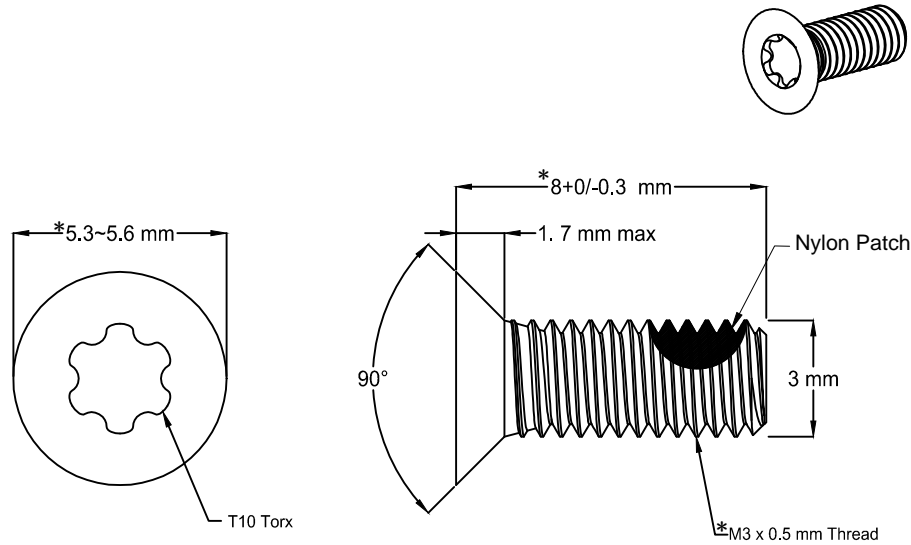


Note:

- 1. Which with * are critical dimensions, with () only for Reference
- 2. Material and finishes are RoHs compliant.
- 3. No burrs and oil residual.
- 4. Nylock Per IFI124 standard, 4-8 teeth were covered with nylon glue, and 1-3 teeth were exposed at the tip



LEVEL	Product Details	
1	Thread Size	M3
2	Thread Pitch	0.5 mm
3	Length	8 mm
4	Threading	Fully Threaded
5	Head Diameter	5.6 mm
6	Head Height	1.7 mm
7	Countersink Angle	90°
8	Drive Style	Torx
9	Drive Size	T10
10	Material	Zinc-Plated Fe1018 Steel
11	Hardness	Rockwell C22
12	Fastener Strength Grade/Class	Class 8.8
13	Thread Type	Metric
14	Thread Spacing	Coarse
15	Thread Fit	Class 6g
16	Thread Direction	Right Hand
17	Head Type	Rounded
18	Rounded Head Style	Flat
19	Rounded Head Profile	Standard
20	System of Measurement	Metric
21	Specifications Met	ISO 14581
22	RoHS	RoHS 3 (2015/863/EU) Compliant
23	REACH	REACH (EC 1907/2006) 06/25/2020, 209 SVHC) Compliant
24	DFARS	Not Specialty Metals Compliant
25	Country of Origin	Peoples Republic of China

ALL MATERIAL ARE ROHS II COMPLIANT UNLESS OTHERWISE SPECIFIED.

除非特别说明, 所有材料符合ROHS II.

THIS DRAWING AND THE DATA DISCLOSED HEREIN OR HEREWITH IS NOT TO BE REPRODUCED, USED OR DISCLOSED IN WHOLE OR IN PART TO ANYONE WITHOUT THE PERMISSION OF TUTAMEN.

这个图纸资料所揭示的信息未经TUTAMEN许可, 不可复制或使用的文档部分或全部图面及资料信息.

ECN	REV 版本	DATE 日期	DESCRIPTION 变更描述	DRAWING 绘图
	01	2021-01-18	首次发行/initial release	Walt

	MATERIAL 材料:	Fe1018 Steel	TUTAMEN P/N:	11612002R01
	FINISH 表面处理:	Zinc	CUSTOMER P/N 客户料号:	
	COLOR 颜色:	Blue	DRAWN 绘图:	Walt
	DESCRIPTION 产品描述: 1.4) Screw, Flat Head, Torx-T10, M3x0.5, 8mm Length, 1.7mm Head, 90 Deg, Steel, Zinc, w/Nylon Patch		CHECKED 核对:	Hyman
			APPROVED 核准:	
	PAGE: 1 OF 1			

DIMENSIONS ARE IN MILLIMETER, UNLESS OTHERWISE SPECIFIED
默认尺寸单位为毫米, 除非特别声明

.XXX ± 0.005	.XXX ± 0.05	ANGLE ± 0.5°
.XX ± 0.010	.XX ± 0.10	
.X ± 0.1	.X ± 0.15	