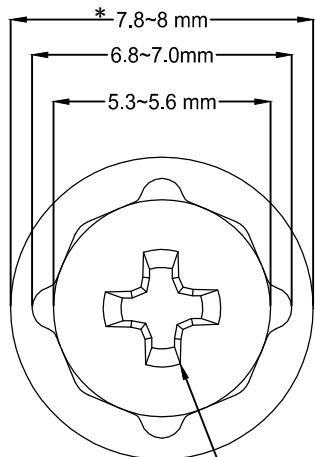
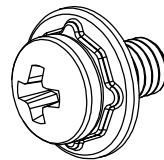
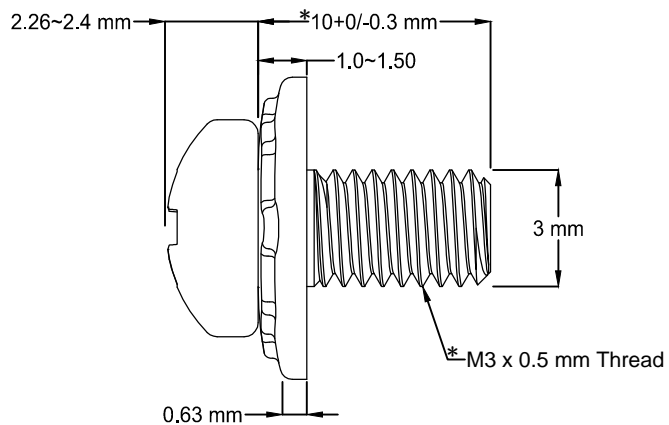


Note:  
 1. Which with \* are critical dimensions, with ( ) only for Reference  
 2. Material and finishes are RoHs compliant.  
 3. No burrs and oil residual.



#1 Phillips



LEVEL	Product Details	
1	Thread Size	M3
2	Thread Pitch	0.5 mm
3	Length	10 mm
4	Threading	Fully Threaded
5	Head Diameter	5.6 mm
6	Head Height	2.40 mm
7	Drive Style	Phillips
8	Drive Size	No. 1
9	Material	Zinc-Plated Fe1018 Steel
10	Hardness	Rockwell C22
11	Fastener Strength Grade/Class	Class 8.8
12	Thread Type	Metric
13	Thread Spacing	Coarse
14	Thread Fit	Class 6g
15	Thread Direction	Right Hand
16	Head Type	Rounded
17	Rounded Head Style	Pan
18	Rounded Head Profile	Standard
19	Washer OD	7.80 mm
20	Washer Thickness	0.63 mm
21	Locking Type	Square Cone
22	Washer Type	Spring lock
23	Washer Material	Carbon Spring Steel
24	Finish	Zinc
25	System of Measurement	Metric
26	Specifications Met	ISO 14581
27	RoHS	RoHS 3 (2015/863/EU) Compliant
28	REACH	REACH (EC 1907/2006) 06/25/2020, 209 SVHC Compliant
29	DFARS	Not Specialty Metals Compliant
30	Country of Origin	Peoples Republic of China

ALL MATERIAL ARE ROHS II COMPLIANT UNLESS OTHERWISE SPECIFIED.  
 除非特别说明, 所有材料符合ROHS II.

THIS DRAWING AND THE DATA DISCLOSED HEREIN OR HEREWITH IS NOT TO BE REPRODUCED, USED OR DISCLOSED IN WHOLE OR IN PART TO ANYONE WITHOUT THE PERMISSION OF TUTAMEN.  
 这个图纸资料所揭示的信息未经TUTAMEN许可, 不可复制或使用文档部分或全部图面及资料信息.

ECN	REV 版本	DATE 日期	DESCRIPTION 变更描述	DRAWING 绘图
	01	2021-01-18	首次发行/initial release	Walt

**TUTAMEN (HK) LTD.**

DIMENSIONS ARE IN MILLIMETER, UNLESS OTHERWISE SPECIFIED  
 默认尺寸单位为毫米, 除非特别声明

INCH	METRIC	ANGLE
.XXX±.005	.XXX±0.05	±0.5°
.XX±0.010	.XX±0.10	
.X±0.1	.X±0.15	

MATERIAL 材料:	see list	TUTAMEN P/N:	11612006R01
FINISH 表面处理:	Zinc	CUSTOMER P/N 客户料号:	
COLOR 颜色:	Blue	DRAWN 绘图:	Walt
DESCRIPTION 产品描述:	Screw, M3X10MM L, Philip Head, PAN Head, Square Cone, MS, STL-Z	CHECKED 核对:	Hyman
	PAGE: 1 OF 1	APPROVED 核准:	