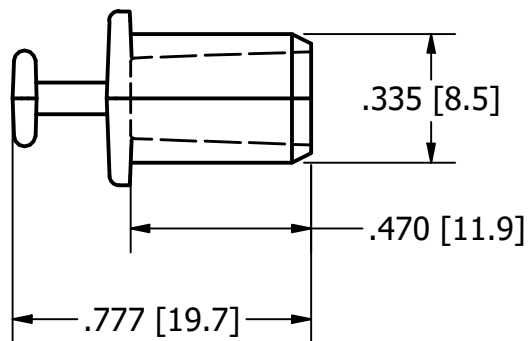
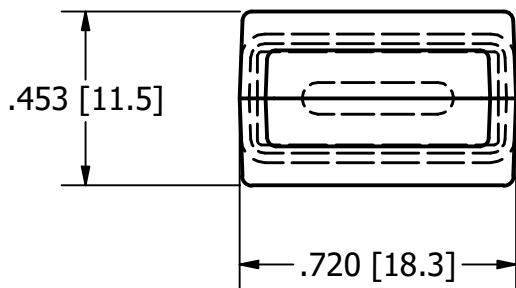
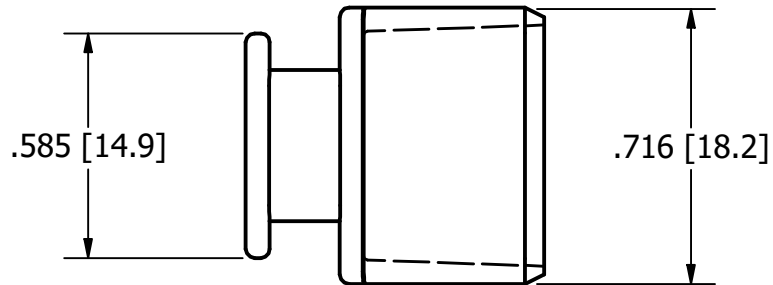
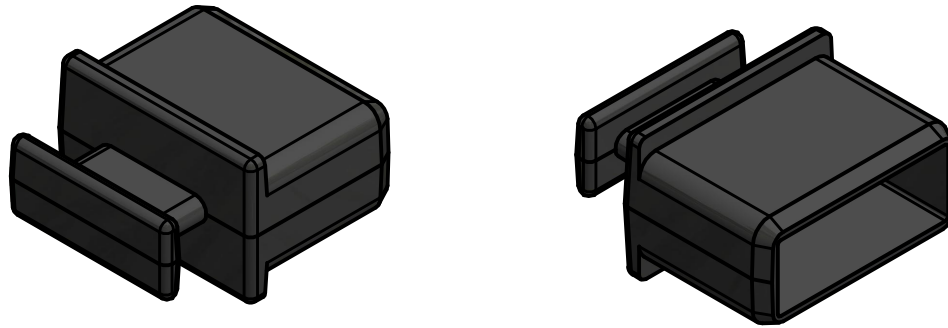


2

1

Material: TPE/carbon fiber formulation, proprietary
 Hardness: Shore A 90 ±3 per ASTM D-2240
 Electrical: Surface resistivity 10E3 Ohm/sq per ASTM D-257
 Parts clean and free of grease, oil, mold release residue, etc.
 Design compliance with SFF-8683 specification
 RoHS & REACH complaint



Tutamen HK
 www.tutamen.net

SENTRY QFSP/XFP DUST COVER

PART NUMBER
 21770505

REV
 03

2

1